



### FEATURES

- No moving parts
- Requires no straight pipe
- Pulse and/or 4-20 mA output
- Chemical and corrosion resistant
- Insensitive to fluid density and fluid viscosity changes

### APPLICATIONS

- Chemical injection
- Corrosive materials
- Low flow applications
- Pulsating flows (e.g., metering pump)

### GENERAL INFORMATION

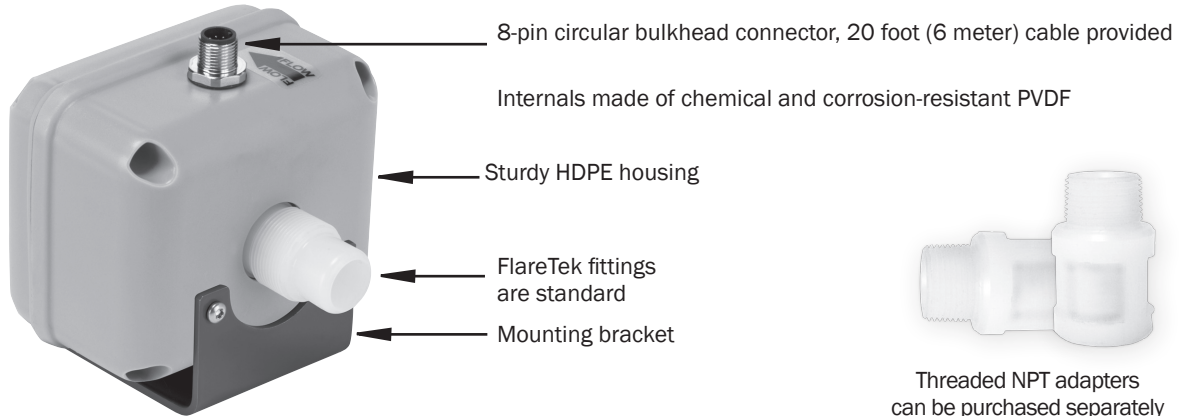
The **PE102 magmeter** is designed for low-flow chemical injection or difficult-to-meter applications with pulsating metering pumps in 3/4" to 1/4" pipe/tube. The housing is made of sturdy splashproof HDPE plastic.

With no moving parts, the PE102 can handle fluids containing particulate matter without clogging or jamming, keeping maintenance at a minimum. With no metallic parts (100% PVDF body and PVDF carbon fiber-filled electrodes), the meter is corrosion-resistant and compatible with a wide range of chemicals. Accuracy is maintained with conductive fluids (>20 microSiemens) of varying viscosities and densities.

The PE meter is compact enough to fit most pump/injection systems. With zero straight pipe required after an elbow, it can be easily mounted in tight spaces. The mounting bracket adds stability.

The PE meter has an optocoupled current sinking pulse output that can be connected to the Seametrics FT420 rate/total display or FT520 batch processor, as well as a 4-20 mA loop for powering analog devices. Outputs and power are provided through a 20 foot (6 meter) cable with 8-pin female circular connector.

## FEATURES



8-pin circular bulkhead connector, 20 foot (6 meter) cable provided

Internals made of chemical and corrosion-resistant PVDF

Sturdy HDPE housing

FlareTek fittings are standard

Mounting bracket

Threaded NPT adapters can be purchased separately (available in polypropylene or PVDF, PVDF shown)

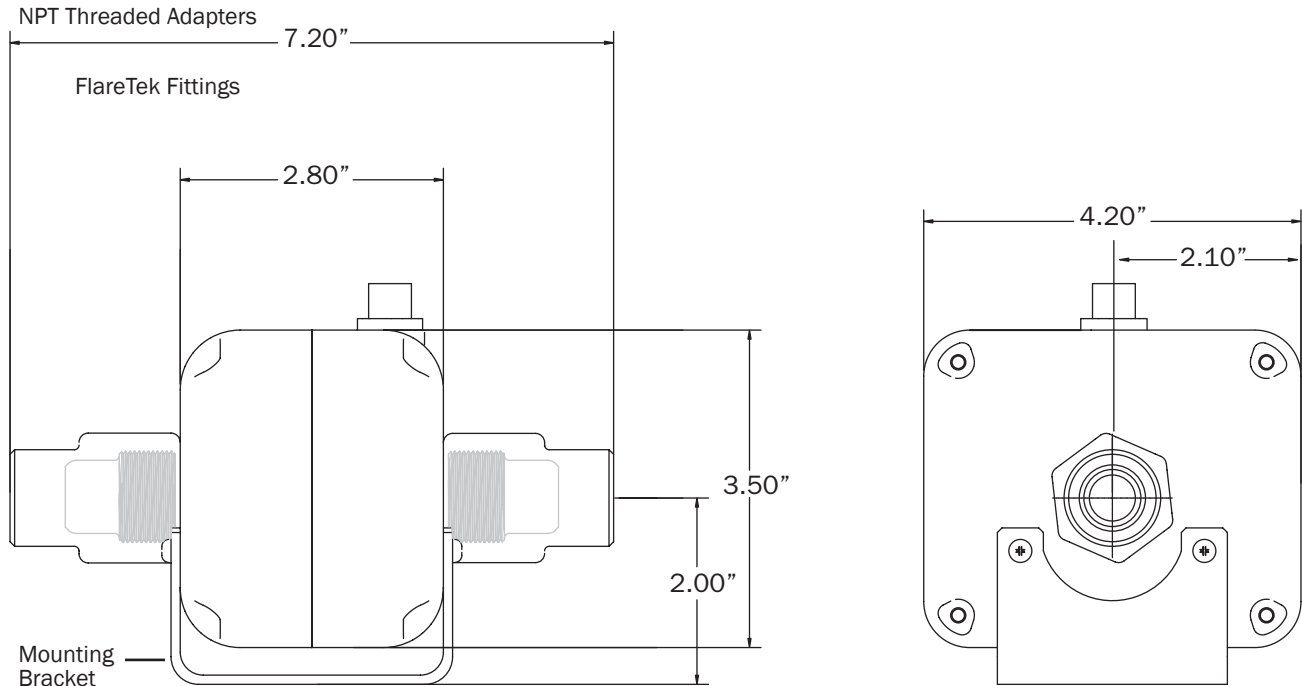
## SPECIFICATIONS\*

<b>Pipe Size</b>		3/4", 1/2", 3/8", 1/4"***
<b>Fittings</b>		FlareTek fittings standard in 3/4" or 3/8" flowbody; NPT threaded adapters also available
<b>Materials</b>	<b>Body</b>	PVDF
	<b>Electrodes</b>	PVDF carbon fiber-filled
	<b>Ground</b>	PVDF carbon fiber-filled
	<b>Housing</b>	HDPE with glass fiber
	<b>Fittings (FlareTek)</b>	PVDF
	<b>Adapters (NPT)</b>	Polypropylene or PVDF
	<b>O-Rings (for NPT)</b>	EPDM or Viton
<b>Temperature</b>	<b>Ambient</b>	0° to 130° F (-18° to 54° C)
	<b>Fluid</b>	32° to 200° F (0° to 93° C)
<b>Pressure</b>		150 psi
<b>Flow Range</b>	<b>-075</b>	20 GPM Max. (0.2 GPM cut off)
	<b>-038</b>	3 GPM Max. (0.03 GPM cut off)
<b>Accuracy</b>	<b>-075</b>	+/- 1% plus +/- 0.005 GPM of reading across rated range
	<b>-038</b>	+/- 1% plus +/- 0.002 GPM of reading across rated range
<b>Output Signal</b>		Optocoupled current sinking or current sourcing pulse output: 30 Vdc, 5 mA max 4-20 mA current loop: 7 Vdc plus load voltage drop min; 50 Vdc max
	<b>-075</b>	PE102-075: 500 pulses/liter (1892 pulses/gallon),
	<b>-038</b>	PE102-038: 1,000 pulses/liter (3785 pulses/gallon).
<b>Power</b>		10-15 Vdc, 150 mA (linear power supply recommended)
<b>Conductivity</b>		>20 microSiemens
<b>Empty Pipe Detection</b>		Hardware/software, conductivity-based
<b>Environmental</b>		NEMA 4X standard; IP 66 Splashproof standard

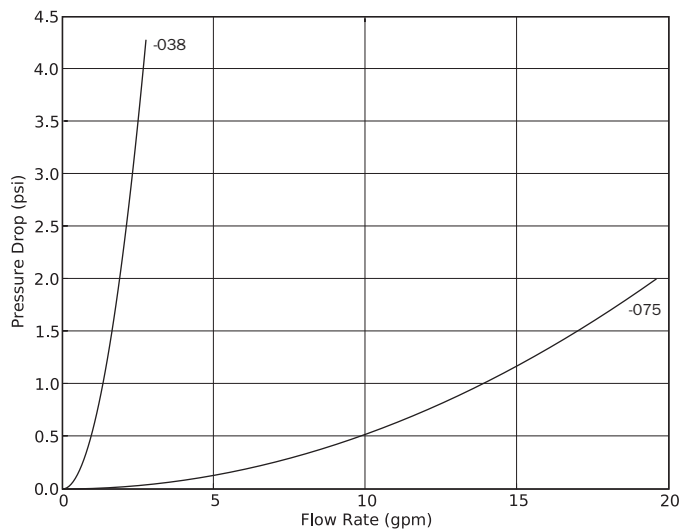
\*Specifications subject to change • Please consult our website for current data ([www.seametrics.com](http://www.seametrics.com)).

\*\*Requires adaptors

## DIMENSIONS



## PRESSURE DROP CURVE



PE102-075 with 3/4" adapters.  
 PE102-038 with 3/8" adapters.  
 Actual curve dependant on pipe size/fittings

## HOW TO ORDER

MODEL	SIZE	FITTINGS
PE102	3/4" = -075 3/8" = -038	Meter comes standard with FlareTek fittings. NPT Adapters can be added. See below to choose Accessories <u>required</u> with your fitting choice.
PE102		

---

**ACCESSORIES**

Rate and Total Indicator = **FT420**  
Batch Flow Processor = **FT520**

**Required with NPT adapters (must choose adapter PLUS O-ring material):**

- 075 PVDF Adapter Kit, 1/2" MNPT EPDM O-Ring (2 ea) = **103270**
- 075 PVDF Adapter Kit, 1/2" MNPT Viton® O-Ring (2 ea) = **103271**
- 075 Polypro Adapter Kit, 1/2" MNPT EPDM O-Ring (2 ea) = **103272**
- 075 Polypro Adapter Kit, 1/2" MNPT Viton® O-Ring (2 ea) = **103273**
- 075 PVDF Adapter Kit, 1/2" FNPT EPDM O-Ring (2 ea) = **103274**
- 075 PVDF Adapter Kit, 1/2" FNPT Viton® O-Ring (2 ea) = **103275**
- 075 Polypro Adapter Kit, 1/2" FNPT EPDM O-Ring (2 ea) = **103276**
- 075 Polypro Adapter Kit, 1/2" FNPT Viton® O-Ring (2 ea) = **103277**
- 075 PVDF Adapter Kit, 3/4" MNPT EPDM O-Ring (2 ea) = **103278**
- 075 PVDF Adapter Kit, 3/4" MNPT Viton® O-Ring (2 ea) = **103279**
- 075 Polypro Adapter Kit, 3/4" MNPT EPDM O-Ring (2 ea) = **103280**
- 075 Polypro Adapter Kit, 3/4" MNPT Viton® O-Ring (2 ea) = **103281**
- 075 Nut, Flaretek , 3/4" (2 Required) (2 ea) = **1032784**
- 075 Tool, Flaretek 3/4" (2 ea) = **103285**

**Required with FlareTek fittings:**

- 075: 3/4" FlareTek tubing nut (2 req) = **101284**  
Flare tool, 3/4" fitting = **101285**
- 038: 3/8" FlareTek tubing nut (2 req) = **101689**  
Flare tool, 3/8" fitting = **101690**

- 038 PVDF Adapter Kit, 1/4" MNPT, EPDM O-Ring = **103254**
- 038 PVDF Adapter Kit, 1/4" MNPT Viton® O-Ring = **103255**
- 038 Polypro Adapter Kit, 1/4" MNPT EPDM O-Ring = **103256**
- 038 Polypro Adapter Kit, 1/4" MNPT Viton® O-Ring = **103257**
- 038 PVDF Adapter Kit, 3/8" MNPT EPDM O-Ring = **103258**
- 038 PVDF Adapter Kit, 3/8" MNPT Viton® O-Ring = **103259**
- 038 Polypro Adapter Kit, 3/8" MNPT EPDM O-Ring = **103260**
- 038 Polypro Adapter Kit, 3/8" MNPT Viton® O-Ring = **103261**
- 038 PVDF Adapter Kit, 1/2" MNPT EPDM O-Ring = **103262**
- 038 PVDF Adapter Kit, 1/2" MNPT Viton® O-Ring = **103263**
- 038 PVDF Adapter Kit, 1/2" FNPT EPDM O-Ring = **103264**
- 038 PVDF Adapter Kit, 1/2" FNPT Viton® O-Ring = **103265**
- 038 Polypro Adapter Kit, 1/2" FNPT EPDM O-Ring = **103266**
- 038 Polypro Adapter Kit, 1/2" FNPT Viton® O-Ring = **103267**
- 038 Nut, Flaretek, 0.375" (2 Required) = **101689**
- 038 Tool, Flaretek 0.375" = **101690**

## CONTACT YOUR SUPPLIER